

Straight Snap in Releasable Connectors

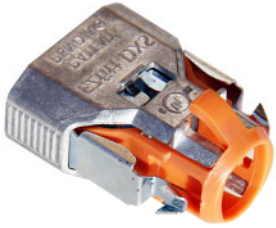
EZfitt®

Zinc die-cast, For MC, MCI-A, HCF steel and aluminum cable,
MCI cable, Continuous corrugated aluminum

EZfitt® products have been tested and listed by UL in accordance with UL's ground fault requirements, UL 514B

**NO TOOLS TO INSTAL, NO TOOLS TO REMOVE!
THE FASTEST, AND THE EASIETS, SECURE CONNECTION!**

Material: Zinc Die Cast, Spring Steel, Polycarbonate Insulator
Innovative Design Provides Unmatched Ease of Cable Installation, Secure Hold, no Pull Out , NO TOOL is Required to Remove.

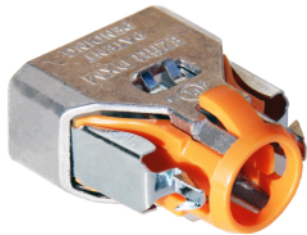


DXS 50



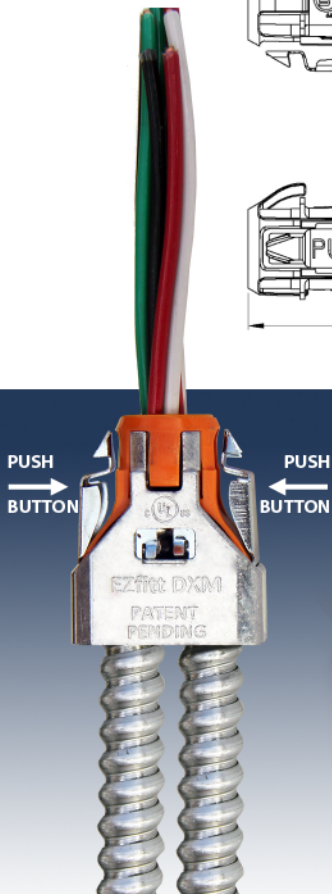
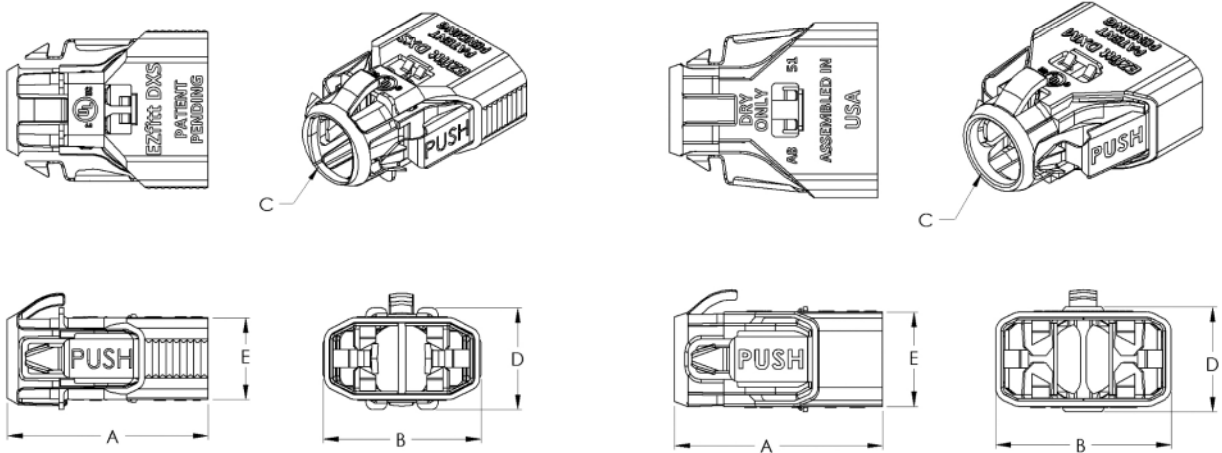
Patented

CATALOG NUMBER	UPC (GTIN) 8600011246	KO SIZE	UNIT PKG	STD PKG	DIM A	DIM B	DIM C	DIM D	DIM E	CABLE RANGE
DXS 50 * †	860009646230	1/2	80		1.76	1.38	0.60	0.89	0.83	.405-.612
	860009646247			400						
DXM 50 * †	860009646254	1/2	60		1.81	1.54	0.63	0.92	0.83	.505-.705
	860009646261			300						



DXM 50 I

* Provided with insulated throat.
† Applied for new MC-PCS cable.



Push the side buttons in and easily pull the connector out with NO TOOL. Twist the cables out with no damage to the conductors.



Snap the cable inside, hold the connector by the push buttons, and Snap the cable and connector in to the KO hole.

Assembled in USA